

ALUMINIUM STEP-OVER UNITS

75 Tenter Road
Moulton Park Industrial Estate
Northampton
NN3 6AX

Tel: 01604 644944

Email: sales@m-maccess.co.uk

Web: www.m-maccess.co.uk

VAT No. 819 3680 06

Step Specifications

Flat Bar Stiles

Aluminium tread with integrated grip

Stand off brackets generally from flat bar

Fixings in stainless steel A4 grade

Finish: Mill finish aluminium

Handrail height: 1100mm (nom)

Overall Width: 600mm (nom)

Platform Specifications:

Overall platform width: 700mm (nom)

Platform width (inside handrails):

600mm

Platform Deck: Open mesh GRP

GRP Deck Panels

Panel mesh size: 30 x 30mm open mesh

Panel Size: 1 x 0.6m

Mesh Surface: non-slip glass fibre

Bars: 25 x 2mm bars

Edge: 25 x 2mm on all four sides

Platform Handrails:

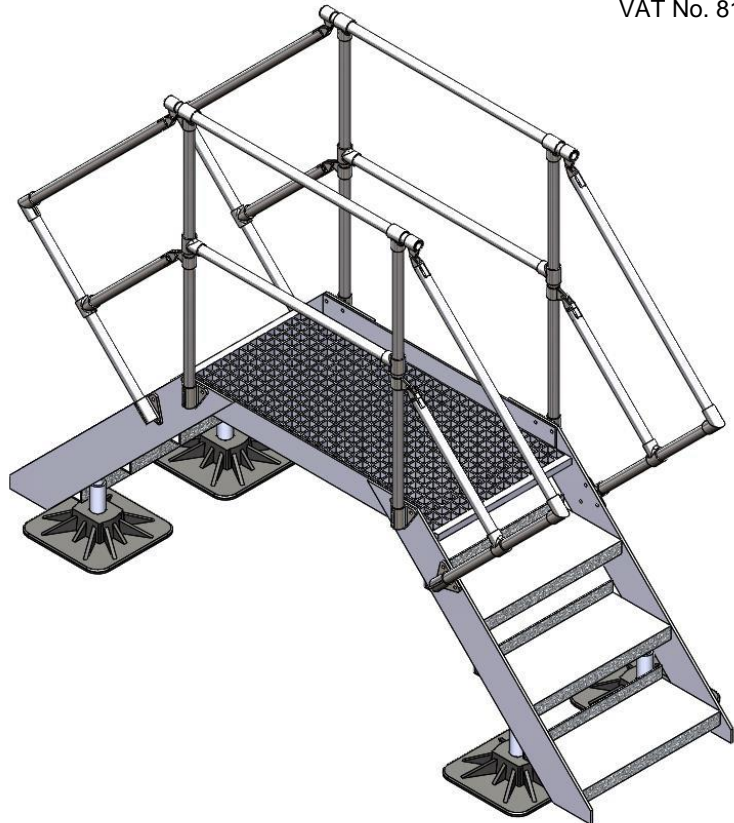
Height: 1100mm above surface of decking

Top Rail: 50mm diameter tube

Midrail: 50mm diameter tube

All internal fixings to be dome

Handrails to be fitted to both sides



Freestanding Step RRP Prices			
Vertical Height\Platform Length	0 -0.5m	Over 0.5 -1.0m	Over 1.0m -1.5m
0 -0.5m	£1,088.00	£1,150.00	£1,236.00
Over 0.5 -1.0m	£1,280.00	£1,342.00	£1,428.00
Over 1.0m -1.5m	£1,592.00	£1,654.00	£1,740.00

Fixed Step RRP Prices			
Vertical Height\Platform Length	0 -0.5m	Over 0.5 -1.0m	Over 1.0m -1.5m
0 -0.5m	£928.00	£990.00	£1,076.00
Over 0.5 -1.0m	£1,120.00	£1,182.00	£1,268.00
Over 1.0m -1.5m	£1,432.00	£1,494.00	£1,580.00

Carriage: Included to Mainland UK

For address outside mainland UK please contact

All sales in accordance with our standard terms and conditions

Please Note: Fixings to structure **not** included

