

M & M ACCESS LTD

THANKYOU FOR DOWN LOADING THIS PRODUCT INFORMATION

Scroll down to view the products data sheets and specifying sheets

If you are specifying this product for a particular project we would kindly appreciate being notified of the details via one of the following methods

Telephone: 01604 751111

Fax: 01604 756666

E-mail: sales@m-maccess.co.uk

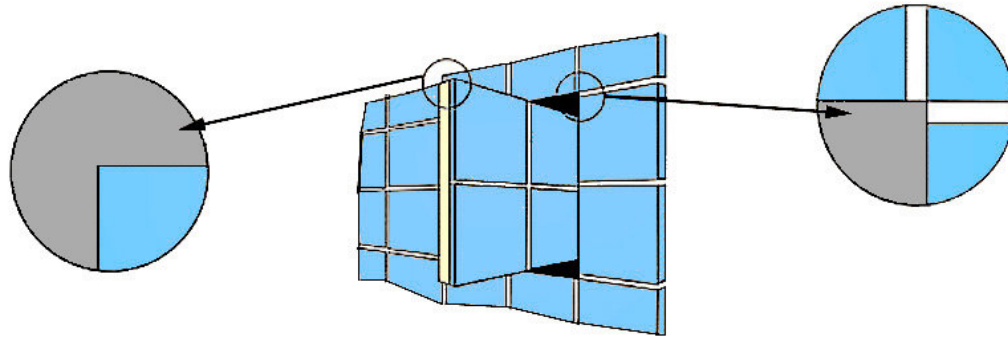
We would like to thank you for your valuable time.

M & M Access Ltd
Unit J, KG Business Centre
Kingsfield Close
Kings Heath Industrial Estate
Northampton
NN5 7QS

Tiledor

Applications

Walls **Blockwork Drywall Stud / Ceramic Tile Masonry**



The Tiledor is manufactured to take a maximum thickness of 10mm ceramic tiles and designed that once installed and tiles have been fitted it will sit flush with the surrounding tiled area.

The door is inverted to accept relevant tile thickness required and benefits from **12mm thick** rigid board bolted to the door tray.

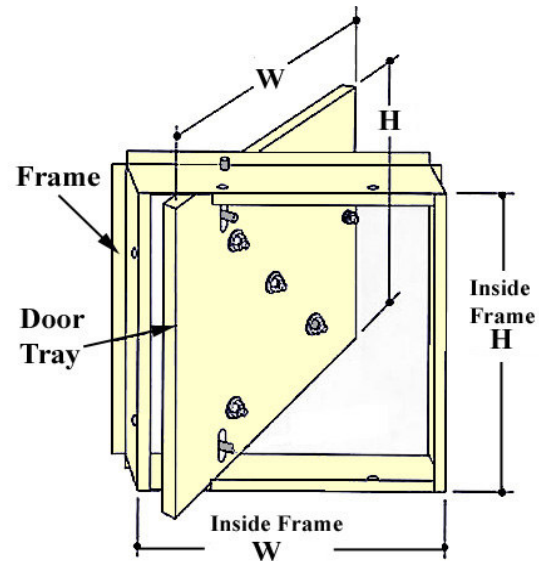
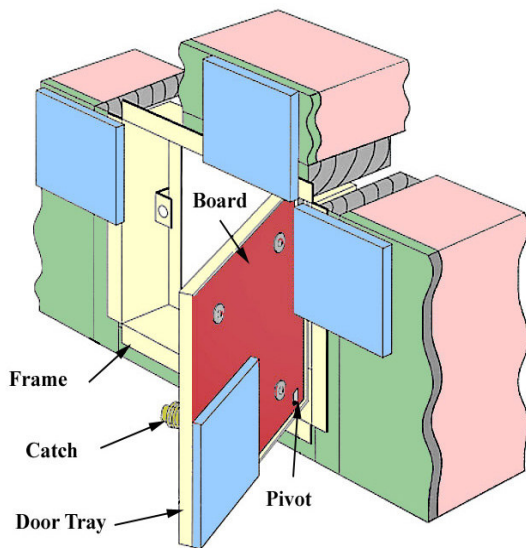
The position of the door can solely be identified by a grout free perimeter gap that is equal in width to the grout lines.

Tiledor's can be right or left hand mounted allowing up to 113 degree arrested opening.

Door formed from **1.6mm thick Zintec**.

Frame formed from **1.6mm thick Zintec**.

Comprising an 8mm diameter steel spring loaded projection pivot pin and fitted with a steel spring loaded touch catch as standard.



Availability

10/15 working day's delivery to any UK mainland destination.

Coming Soon

This panel at present is being designed to achieve a **1 Hour Fire Rating** and will be available shortly.

Sizes

This product is made to customer requirement and to suit tile modules.

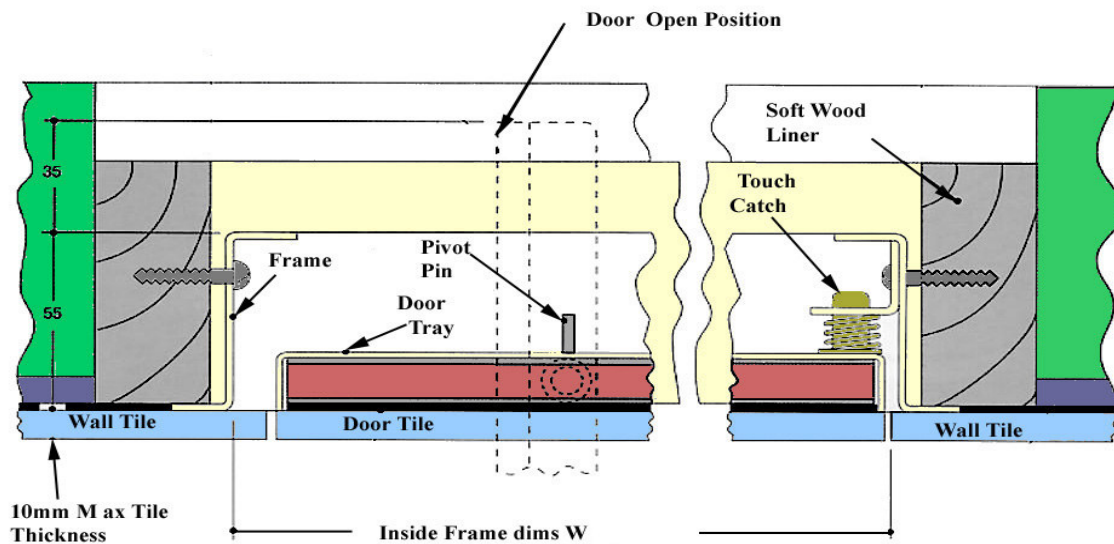
Information is correct at time of print but may be subject to change at management's discretion.

Information Required Upon Ordering

Tiledor panels are custom made therefore it is vital that we are in receipt of clear instructions before manufacture commences.

- 1) Overall size of door tray Width and Height
- 2) Size and Quantity of tile's that we be occupying the door tray width.
- 3) Size and Quantity of tile's that will be occupying the door tray height.
- 4) Tile Thickness.
- 5) Grout line width.

Applications



Forming Apertures

Blockwork and Masonry

Fix 32 x 75mm softwood liner inside the structural opening made at the access point to form a clear aperture of, $(H + 20\text{mm}) \times (W + 20\text{mm})$.

Drywall Stud

Clear aperture should be formed as above using stud members.

Operation

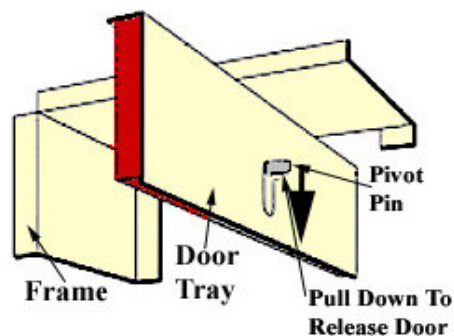
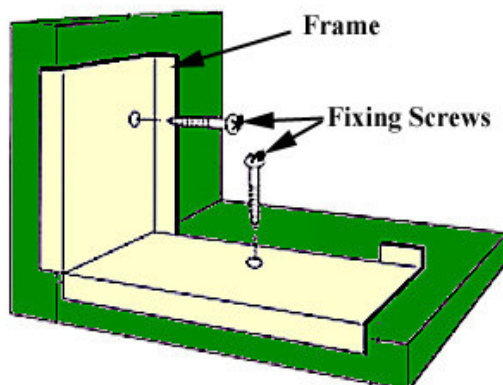
The door is opened and closed by pushing mid height on the tiled face at leading edge of the door.

Fixing

- 1) Open door as described in **Operation**.
- 2) Locate the release triggers at the top and bottom on rear face of door
- 3) Pull both along slots and remove door from frame.
- 4) Offer frame in the aperture formed and screw fix through pre-punched holes in all frame sides to the aperture reveals, using shims behind the frame to make frame square and plumb.
- 5) Using an 8mm diameter clearance hole bit, drill into each pivot hole at an approximate depth of 10mm.
- 6) Replace door into frame by locating holes in the frame for the pivot pins and allow to spring back.

Fixing the Tiles

- 1) Bond tiles to the board in the door tray using door perimeter edges as setting out datum for door tiles.
- 2) Tile whole face of the door leaving a tile to tile gap equal in width to the grout lines.
- 3) Tile around panel using door tiles as setting out datum for wall tiles, ensuring gaps are kept free from grout.



Tiledor

Tiledor panels to be supplied by M & M Access Ltd - Unit J, KG Business Centre,
Kingsfield Close, Kings Heath Industrial Estate, Northampton NN5 7QS
Tel: 01604 751111 Fax: 01604 756666

Tiledor access panel are of a custom/bespoke construction to suit the customer's tile modules
And will be -----(H) x -----(W)
(See below Calculation Example)

Manufactured from Zintec with Touch Catch mechanism and factory fitted rigid board
bolted to the door tray with frame detail finished on polyester powder coated
Ral 9010 20% gloss (White).

Panels to be ready for Wall installations and fitted according to instructions
supplied by M & M Access Ltd.

Calculation Example

Options

Calculate the door size by
multiplying the tile size by number
of tiles being fixed to door face height and
width and add the grout widths.

S/S Stainless Steel
BL Budget Lock

ie: Tile Size = 100mm
 No of Tiles on Height = 4
 No of Tiles on Width = 3
 Total Tiles on Door = 12
 Grout Width = 2mm

Height Dimension would be $4 \times 100 + 3\text{No } 2\text{mm grout lines} = 406$
Width Dimension would be $3 \times 100 + 2\text{No } 2\text{mm grout lines} = 304$

**Tiledor's are a bespoke product, please contact
M & M Access Ltd for further assistance.**