

# M & M ACCESS LTD

THANKYOU FOR DOWN LOADING THIS PRODUCT INFORMATION

**Scroll down to view the products data sheets and specifying sheets**

**If you are specifying this product for a particular project we would kindly appreciate being notified of the details via one of the following methods**

Telephone: 01604 751111

Fax: 01604 756666

E-mail: [sales@m-maccess.co.uk](mailto:sales@m-maccess.co.uk)

We would like to thank you for your valuable time.

M & M Access Ltd  
Unit J, KG Business Centre  
Kingsfield Close  
Kings Heath Industrial Estate  
Northampton  
NN5 7QS

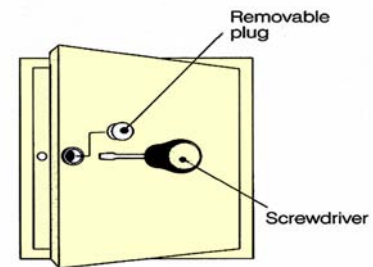
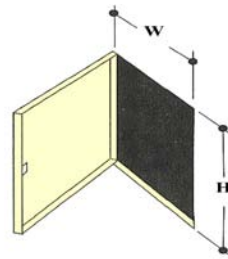
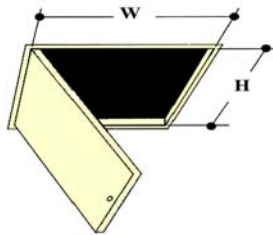
# Thindor – PF / BF

## Applications

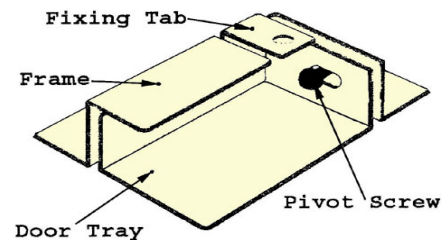
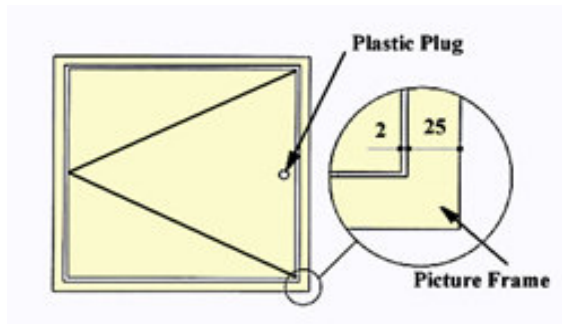
Wall  
Ceiling

Blockwork / Masonry / Drywall Stud  
Dry lined MF / Plastered X.P.M

Locking Detail as below



## Picture Frame Non Fire Rated Budget Type



Manufactured to only **25mm deep** enabling a lightweight, although robust access hatch giving increased space for maintenance services where required.

Door and Frame formed from **1.2mm thick Zintec**.

Comprising a 25mm wide picture frame surround to give an architrave finished appearance.

M5 machine screw pivot into frame with M5 captive screw at door leading edge.

Easy fixing tab for site installation as above right illustration.

White plastic removable cap to key hole.

Visible face polyester powder coated RAL 9010 20% gloss.

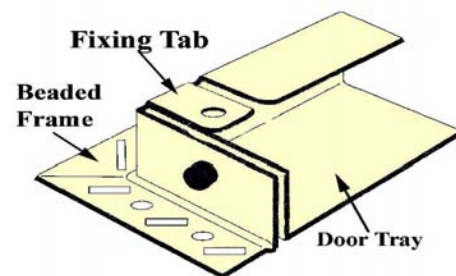
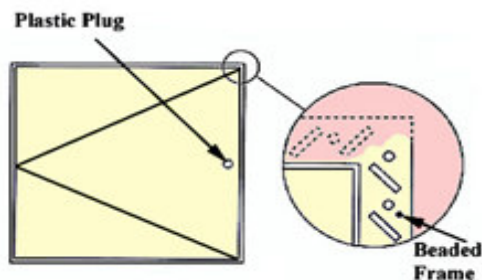
### Sizes

Inside Frame Dimensions in mm

H (Height)	W (Width)
200	200
300	300
450	450
550	550

Hinged on height dimensions

## Beaded Frame Non Fire Rated Budget Type



Manufactured to only **25mm deep** enabling a lightweight, although robust access hatch giving increased space for maintenance services where required.

Door and Frame formed from **1.2mm thick Zintec**.

Comprising a Simulated Edge Bead surround for tape and joint to give a concealed frame appearance.

M5 machine screw pivot into frame with M5 captive screw at door leading edge.

Easy fixing tab for site installation as above right illustration.

White plastic removable cap to key hole.

Visible face polyester powder coated RAL 9010 20% gloss.

Other finishes available on request.

### Sizes

Inside Frame Dimensions in mm

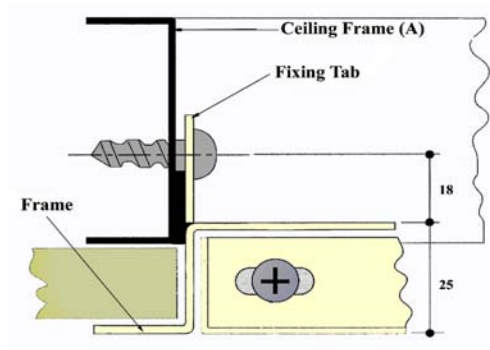
H (Height)	W (Width)
200	200
300	300
450	450
550	550

Hinged on height dimension

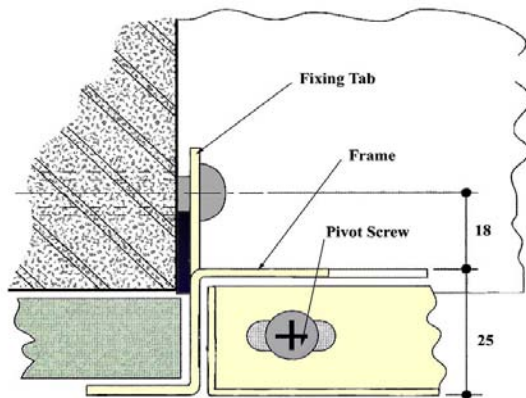
Information is correct at time of print but may be subject to change at management's discretion.

# Applications

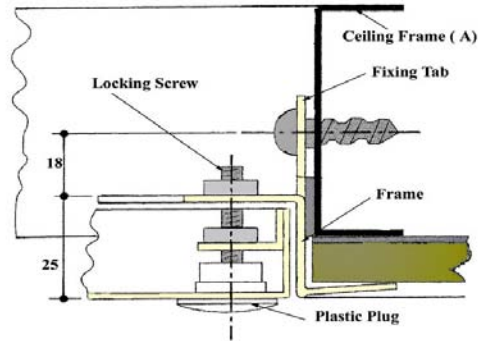
Ceiling Picture Frame / Plastered X.P.M



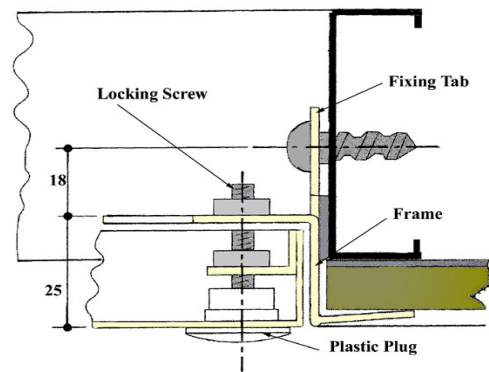
Wall Picture Frame / Masonry



Ceiling Beaded Frame / Drylined M/F



Wall Beaded Frame / Drywall Stud

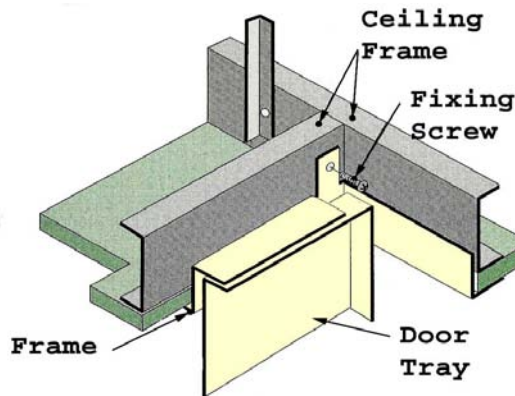
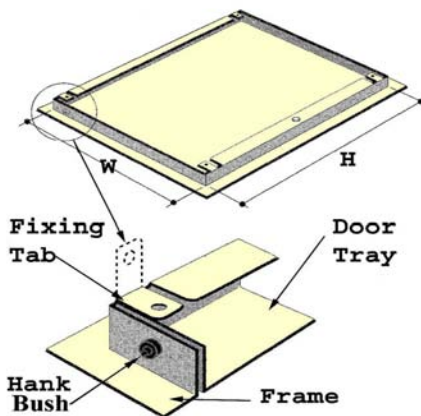


## Forming Apertures

A clear aperture should be formed at the access point to sizes of,  $(H + 10\text{mm}) \times (W + 10\text{mm})$ .

Masonry applications - pack out the opening with max of 15mm thick timber linings where necessary.

Ceiling applications - ensure aperture framing members (A) in the M/F suspension system are sufficiently deep enough for span purposes, and for the purpose of screw fixing the panel frames PF and BF to A's webs.



## Fixing

- 1) In each corner at the rear of the panel and as above illustration a short portion of the frame lip can be bent up to form a fixing tab.
- 2) Bend each portion through 90 degree's.
- 3) Open the door and offer the frame into aperture formed as described in above **Forming Apertures**.
- 4) Screw fix each tab to aperture reveals through the pre-punched hole in the tab.
- 5) Ensure the panel is square by fixing shims between frame and aperture as needed.

## Operation

### Opening

- 1) Remove plastic plug from key hole with fingernail lift.
- 2) Insert posidrive screwdriver into lock screw head and turn anti-clockwise until door is released.

### Closing

- 1) After leading edge of door enters panel frame insert screwdriver into lock hole.
- 2) Locate head of screw and turn clockwise. The door will move upwards with the turning action until it is flush.
- 3) Replace plastic plug into key hole.

# **THINDOR PF**

Thindor panels to be supplied by M & M Access Ltd Unit J, KG Business Centre, Kingsfield Close, Kings Heath Industrial Estate, Northampton NN5 7QS  
Tel: 01604 751111 Fax: 01604 756666

Thindor PF access panel to be -----(H) x -----(W)  
(See below for sizes available)

Manufactured from Zintec with captive screw lock and white plastic plug to key hole.  
Door and Picture Frame detail finished on visible face polyester powder coated  
Ral 9010 (White).

Panels to be ready for Wall / Ceiling installation (Delete as applicable) and fitted according to instructions supplied by M & M Access Ltd.

Standard Sizes			Options
H	x	W	Other Ral/BS Colours
200	x	200	
300	x	300	
450	x	450	
550	x	550	

H = Hinged Side

**contact M & M Access Ltd for further assistance.**

# **THINDOR BF**

Thindor panels to be supplied by M & M Access Ltd Unit J, KG Business Centre, Kingsfield Close, Kings Heath Industrial Estate, Northampton NN5 7QS  
Tel: 01604 751111 Fax: 01604 756666

Thindor BF access panel to be -----(H) x -----(W)  
(See below for sizes available)

Manufactured from Zintec with captive screw lock and white plastic plug to key hole.  
Door and Beaded Frame comprising a slot and circular perforated flange detail finished on visible face polyester powder coated Ral 9010 (White).

Panels to be ready for Wall / Ceiling installation (Delete as applicable) and fitted according to instructions supplied by M & M Access Ltd.

Standard Sizes			Options
H	x	W	Other Ral/BS Colours
200	x	200	
300	x	300	
450	x	450	
550	x	550	

H = Hinged side

**contact M & M Access Ltd for further assistance.**