

M & M ACCESS LTD

THANKYOU FOR DOWN LOADING THIS PRODUCT INFORMATION

Scroll down to view the products data sheets and specifying sheets

If you are specifying this product for a particular project we would kindly appreciate being notified of the details via one of the following methods

Telephone: 01604 751111

Fax: 01604 756666

E-mail: sales@m-maccess.co.uk

We would like to thank you for your valuable time.

M & M Access Ltd
Unit J, KG Business Centre
Kingsfield Close
Kings Heath Industrial Estate
Northampton
NN5 7QS

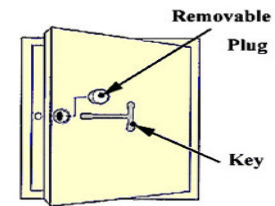
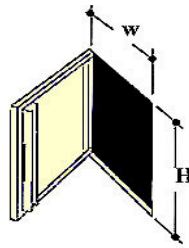
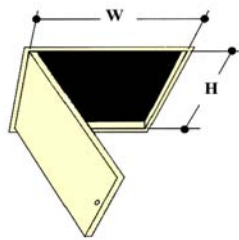
Standdor – PF / BF

Applications

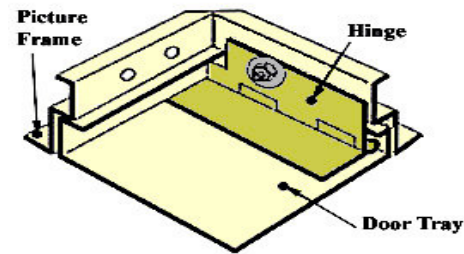
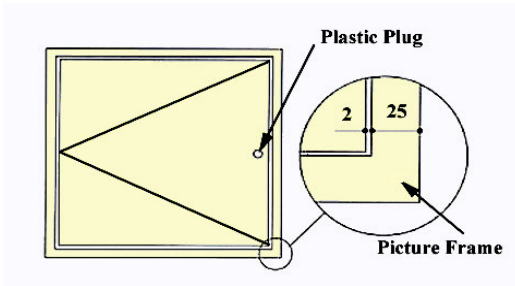
Wall
Ceilings

Blockwork / Masonry / Drywall Stud
Dried MF / Plastered X.P.M

Lock detail as below



Picture Frame Non Fire Rated Standard Type – See Blazedor for Fire Rated Panels



The premier panel to the Thindor manufactured to **50mm deep**.

Door tray formed from **1.0mm thick Zintec**.

Frame formed from **1.2mm thick Zintec**.

Comprising a 25mm wide picture frame surround giving an architrave finished appearance.

Continuous reverse hinge of **1.2mm thick** zinc coated mild steel located on M6 screws welded to frame, secured with washers and nuts and spot welded to door tray.

Budget lock at door leading edge with budget lock key accessory.

White plastic removable cap to key hole.

Visible face polyester powder coated RAL 9010 20% gloss.

Sizes

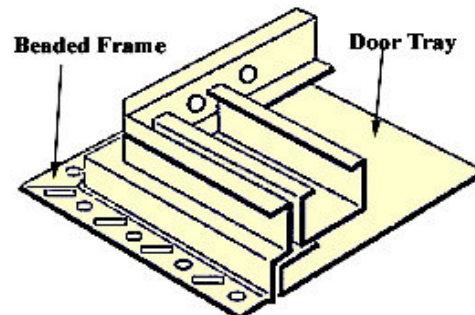
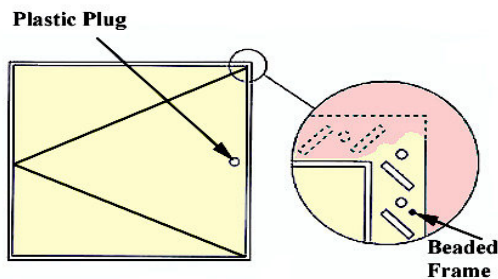
Inside Frame Dimensions in mm

H (Height)	W (Width)
300	300
450	450
550	550
600	600
900	550
1200	550

Hinged on height dimensions

Bespoke sizes available on request

Beaded Frame Non Fire Rated Standard Type – See Blazedor for Fire Rated Panels



The premier panel to the Thindor manufactured to **50mm deep**.

Door tray formed from **1.0mm thick Zintec**.

Frame formed from **1.2mm thick Zintec**.

Comprising a simulated edge bead surround for tape and joint giving a concealed frame appearance.

Continuous reverse hinge **1.2mm thick** zinc coated mild steel located on M6 screws welded to frame, secured with washers and nuts and spot welded to door tray.

Budget lock at door leading edge with budget lock key accessory.

White plastic removable cap to key hole.

Visible face polyester powder coated RAL 9010 20% gloss.

Sizes

Inside Frame Dimensions in mm

H (Height)	W (Width)
300	300
450	450
550	550
600	600
900	550
1200	550

Hinged on height dimensions

Bespoke sizes available on request

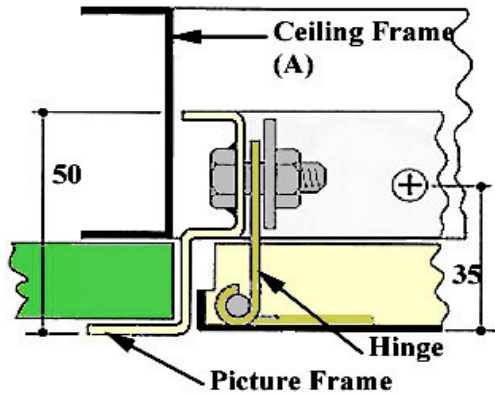
Optional Extra's on above products

Manufactured from Stainless Steel for specific environments.
Various locking mechanism's to suit customer requirements.
Air seals / Insulation fitted, etc. Finished to accept on site painting.
Three way locking system is fitted as standard on larger panels.

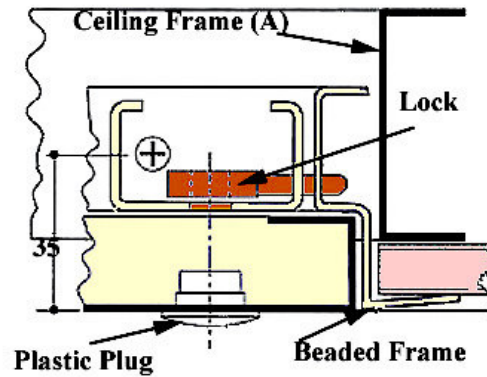
Information is correct at time of print but may be subject to change at management's discretion.

Applications

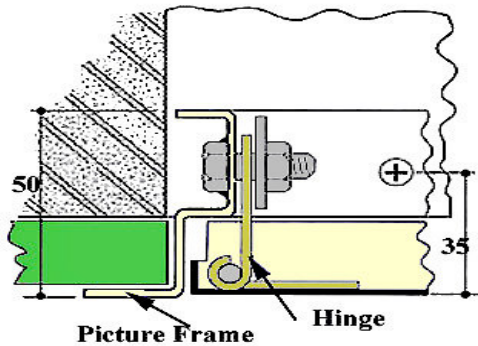
Ceiling Picture Frame / Plastered X.P.M



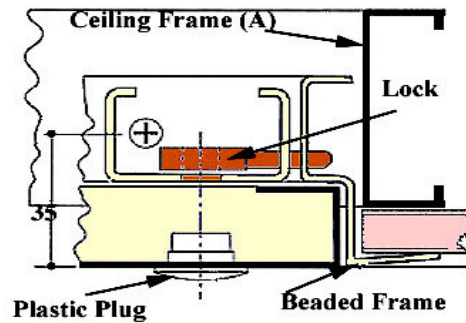
Ceiling Beaded Frame / Drylined M/F



Wall Picture Frame / Masonry

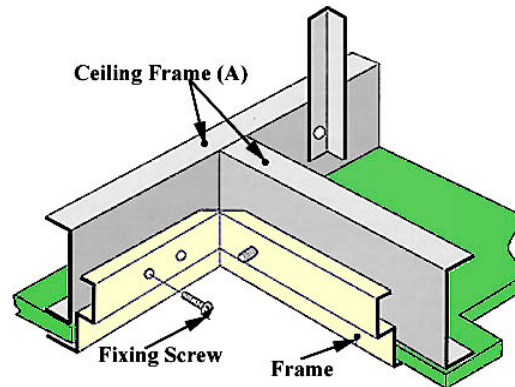
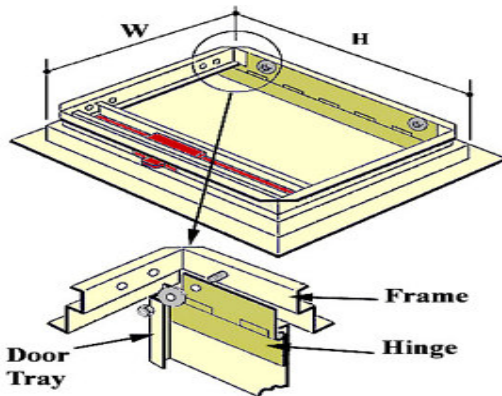


Wall Beaded Frame / Drywall Stud



Forming Apertures

A clear aperture in the above structures should be formed at the access point to sizes of, $(H + 10\text{mm}) \times (W + 10\text{mm})$
 Masonry applications - pack out the opening with max of 15mm thick timber linings where necessary.
 Ceiling applications - ensure aperture framing members (A) in the M/F suspension system are sufficiently deep enough for span purposes and for the purpose of screw fixing the panel frames PF and BF to A's webs.



Fixing

- 1) Unlock the door as described in **Operation**.
- 2) Remove door from the frame by releasing the nuts on welded M6 screws (retain in a safe place)
- 3) Offer frame into aperture formed as described in **Forming Apertures**.
- 4) Screw fix through pre-punched holes in both frame sides (width) to the aperture reveal.
- 5) Ensure that the panel is square by fixing shims between frame and aperture as needed.
- 6) Replace door by locating hinge over welded screws and re-fix using washers and nuts previously retained.
- 7) Lock door as described in **Operation**.

Operation

Opening

- 1) Remove plastic plug from key hole with fingernail lift.
- 2) Insert budget lock key into key hole and turn anti-clockwise supporting the weight of the door.

Closing

- 1) After leading edge of door enters panel frame insert budget lock key into key hole turn clockwise.
- 4) Replace plastic plug into key hole.

STANDDOR BF

Standdor panels to be supplied by M & M Access Ltd - Unit J, KG Business Centre,
Kingsfield Close, Kings Heath Industrial Estate, Northampton NN5 7QS
Tel: 01604 751111 Fax: 01604 756666

Standdor BF access panel to be -----(H) x -----(W)
(See below for sizes available)

Manufactured from Zintec with Budget lock and white plastic plug to key hole.
Door and Beaded Frame comprising a slot and circular perforated flange detail
finished on visible face polyester powder coated Ral 9010 20% gloss (White).

Panels to be ready for Wall/Ceiling installation (Delete as applicable) and fitted according to instructions
supplied by M & M Access Ltd

Standard Sizes

H	x	W
300	x	300
450	x	450
550	x	550
600	x	600
900	x	550
1200	x	550

H = Hinged side

Options

S/S	Stainless Steel – Brushed/Polished/Mill (Delete as applicable)
KL	Key Lock
CL	Chubb Lock
SC	Safety Cord
S	Seals
3WL	3 Way Locking from single keyhole Other Ral/BS Colours

NB: Panels that exceed 600 x 600 – 3WL is fitted as standard

**Other sizes and bespoke products are available please
contact M & M Access Ltd for further assistance.**

STANDDOR PF

Standdor panels to be supplied by M & M Access Ltd - Unit J, KG Business Centre,
Kingsfield Close, Kings Heath Industrial Estate, Northampton NN5 7QS
Tel: 01604 751111 Fax: 01604 756666

Standdor PF access panel to be -----(H) x -----(W)
(See below for sizes available)

Manufactured from Zintec with Budget lock and white plastic plug to key hole.
Door and Picture Frame detail finished on visible face polyester powder
coated Ral 9010 20% gloss (White).

Panels to be ready for Wall/Ceiling installation (Delete as applicable) and fitted according to instructions
supplied by M & M Access Ltd

Standard Sizes

H	x	W
300	x	300
450	x	450
550	x	550
600	x	600
900	x	550
1200	x	550

H = Hinged side

Options

S/S	Stainless Steel – Brushed/Polished/Mill (Delete as applicable)
KL	Key Lock
CL	Chubb Lock
SC	Safety Cord
S	Seals
3WL	3 Way Locking from single keyhole Other Ral/BS Colours

NB: Panels that exceed 600 x 600 – 3WL is fitted as standard

**Other sizes and bespoke products are available please
contact M & M Access Ltd for further assistance.**