

# M & M ACCESS LTD

THANKYOU FOR DOWN LOADING THIS PRODUCT INFORMATION

**Scroll down to view the products data sheets and specifying sheets**

**If you are specifying this product for a particular project we would kindly appreciate being notified of the details via one of the following methods**

Telephone: 01604 751111

Fax: 01604 756666

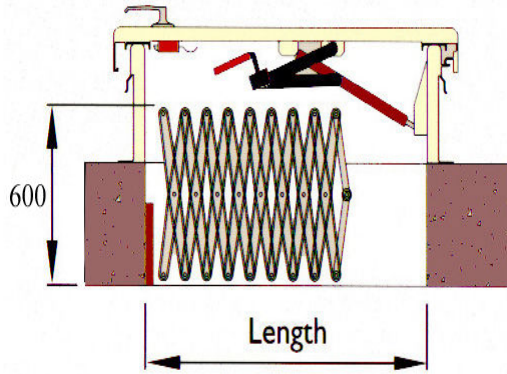
E-mail: [sales@m-maccess.co.uk](mailto:sales@m-maccess.co.uk)

We would like to thank you for your valuable time.

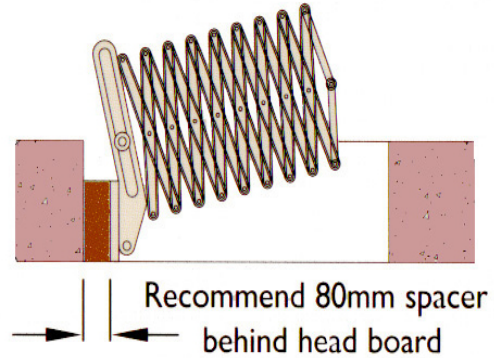
M & M Access Ltd  
Unit J, KG Business Centre  
Kingsfield Close  
Kings Heath Industrial Estate  
Northampton  
NN5 7QS

# Foldaway Ladders

## Closed Storage Position



## Recommended Spacer



## Heavy Duty Ladders

The heavy duty foldaway ladders are manufactured from Aluminium Alloy and are designed for use with Roof access hatches and Internal Ceiling / Loft hatches where access is required. Foldaway ladders are mounted on **600 x 200mm** headboard which can be screw fixed to the allocated surface and comprise Anti Slip Treads with a Load bearing of 200kg per Tread and Counterbalanced Spring Assistance to ensure the stairway can be raised and lowered with the minimum of effort. An 80mm spacer behind the headboard as the above illustration is recommended. An area of 600mm minimum is required when the foldaway ladder is in the closed storage position with a recommended 650mm for clearance.

## Foldaway Ladder in Position



## Foldaway Ladder Extended



Foldaway ladders are available in the four different heights as listed below.

### Sizes

Model Ref	Ceiling Height	Min. Aperture	Head Board	Tread Size	Dim "X"
FAL4	Up To 2500	680 x 700	600 x 200	140 x 350	1210 - 1310
FAL5	2501-2790	680 x 750	600 x 200	140 x 350	1310 - 1410
FAL6	2791-3090	680 x 800	600 x 200	140 x 350	1410 - 1510
FAL7	3091-3390	680 x 850	600 x 200	140 x 300	1510 - 1610

Information is correct at time of print but may be subject to change at management's discretion.

## Foldaway Ladder

Ladders to be supplied by M & M Access Ltd Unit J, KG Business Centre, Kingsfield Close, Kings Heath Industrial Estate, Northampton NN5 7QS

Tel: 01604 751111 Fax: 01604 756666

Heavy Duty Foldaway Ladders manufacture from Aluminium Alloy and mounted on 600 x 200mm head board with anti slip treads and spring assisted.

Foldaway Ladder to be -----mm High  
(See below for sizes available)

Height	Minimum Aperture	Tread Size
Up to 2500	680 x 700	140 x 350
2501-2790	680 x 750	140 x 350
2791-3090	680 x 800	140 x 350
3091-3390	680 x 850	140 x 300

Please contact M & M Access Ltd for further assistance.

See Drawing Below

