

Plasticdor – Non Fire Rated Wall & Ceiling Plastic Access Panels

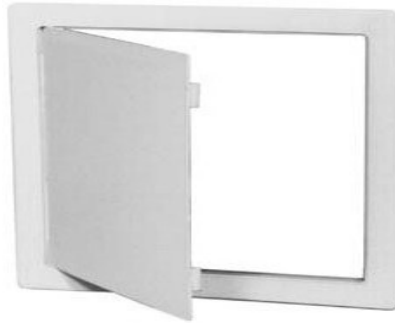
Plasticdor **Wall & Ceiling** access panels are designed for use where access to maintenance services is required

Plasticdor access panels offer a cost effective lightweight solution to your access panel requirements.

Plasticdor access panels are available as a hinged type or a non hinged / removable pop out type panel and are limited to the sizes available, unlike the steel type access panels.

The Plasticdor is not **suitable for Fire Rated purposes** and are finished in white as standard and are suitable to be painted on site to blend in with the surrounding environment

We highly recommend Plasticdor access panels are not used in a hot environment – Please see our Thindor Range



Fixing Details

- 1) Cut hole to size making sure it is straight and level
- 2) Apply silicon or other suitable adhesive to back of frame
- 3) If hinged check which way you want the door to hinge open
- 4) Press panel firmly into place, checking again that its straight and level

NB: Do not operate until adhesive has completely set

Operation

Open using a screw driver / finger nail in the slot on the face of the access panel

**M & M Access Ltd
5 Quarry Park Close
Moulton Park Industrial Estate
Northampton
NN3 6QB
Tel: 01604 644944 Fax: 01604 644899**

Email: sales@m-maccess.co.uk

Web: www.m-maccess.co.uk / www.access-panels.com

Plasticdor / R - Non Hinged



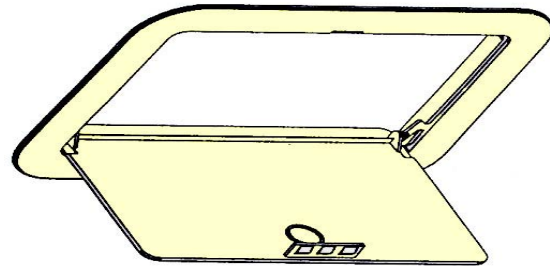
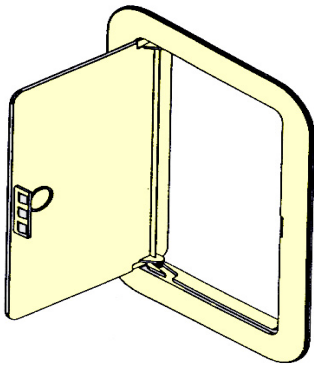
Non Hinged / Removable plastic access panels are available in five sizes and have a white textured finish which allows for on site painting if required.

Sizes

| Hole Opening in mm | Approx Inches |
|--------------------|---------------|
| 110 x 150 | 4 x 6 |
| 200 x 200 | 8 x 8 |
| 150 x 230 | 6 x 9 |
| 355 x 355 | 14 x 14 |
| 355 x 746 | 14 x 29 |

Standard Sizes EX Stock available for next day delivery

Plasticdor / H - Hinged Plastic Panels



Hinged plastic panels are available in seven sizes and have a white textured finish which allows for on site painting if required.

Sizes

| Hole Opening in mm | Approx Inches |
|--------------------|---------------|
| 110 x 150 | 4 x 6 |
| 150 x 230 | 6 x 9 |
| 200 x 200 | 8 x 8 |
| 300 x 300 | 12 x 12 |
| 355 x 355 | 14 x 14 |
| 450 x 450 | 18 x 18 |
| 556 x 556 | 22 x 22 |

Standard Sizes EX Stock available for next day delivery