

Blazedor – PF / BF – 1Hr / 2Hr Fire Rated Wall & Ceiling Access Panels What Size? ANY SIZE!

Blazedor **Wall & Ceiling** access panels are the **Fire Rated Range** of our Zintec steel door access panels

The Blazedor products are available in either **One Hour** or **Two Hour Fire Rated** to BS 476 Part 22: 1987 by the installation of 6mm and 12mm Fireboard respectively.

The door tray is formed from 1.0mm thick Zintec and the frame formed from 1.2mm thick Zintec. Comprising a continuous hinge located on M6 screws welded to the frame and secured with nuts and washers.

Manufactured to 50mm deep and supplied with either a 25mm wide picture frame surround giving an architrave finished appearance or a 25mm wide beaded frame for taping & jointing on site to conceal the frame

The Blazedor panels have a budget locking mechanism with a budget lock key accessory and come complete with a plastic cap to conceal the key hole when not in use.

A three point locking mechanism is fitted on Blazedor products that exceed a size of 600 x 600mm

Access Panels are finished polyester powder coated RAL 9010 with a textured finish to allow for painting on site where required. Other RAL colours are available upon request at an extra cost.

Bespoke sizes, Acoustic Rated and High Security Locking mechanisms can all be achieved

Blazedor access panels can be specially manufactured from stainless steel with either a brushed / polished finish or stainless steel finish and also can be manufactured in aluminium all at an extra cost.



Access Panels are manufactured as a single door as standard

Double door units & four door units can be manufactured upon request

Standard Sizes EX Stock available for next day delivery

Inside Frame Dimensions

Height	x	Width
300mm	x	300mm
450mm	x	450mm
550mm	x	550mm
600mm	x	600mm
900mm	x	550mm
1200mm	x	550mm

NOTE: Add 10mm to the above sizes for the structural opening size

Bespoke Sizes can now be Manufactured within 7 working days

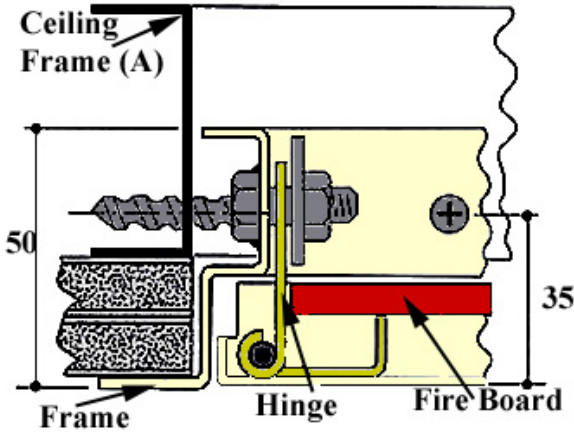
M & M Access Ltd
5 Quarry Park Close
Moulton Park Industrial Estate
Northampton
NN3 6QB
Tel: 01604 644944 Fax: 01604 644899

Email: sales@m-maccess.co.uk

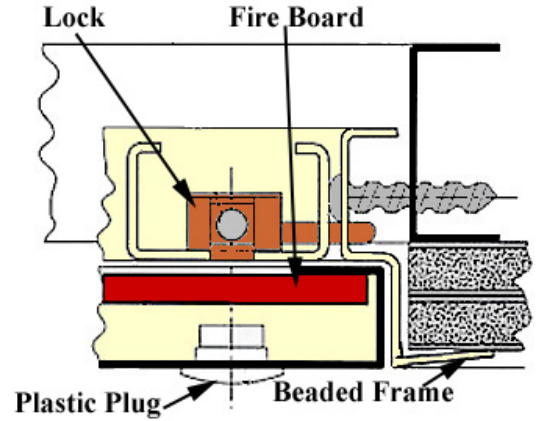
Web: www.m-maccess.co.uk / www.access-panels.com

Applications

Ceiling Picture Frame / Drylined M/F



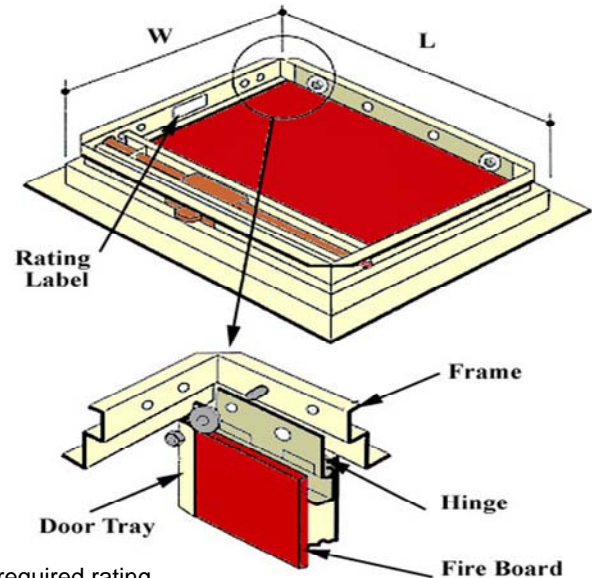
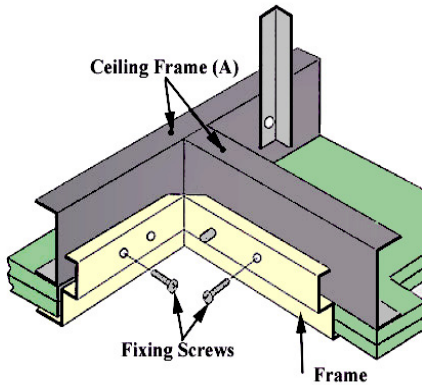
Ceiling Beaded Frame / Drylined M/F



Forming Apertures

A clear aperture in the above structures should be formed at the access point to sizes of, $(H + 10\text{mm}) \times (W + 10\text{mm})$ ensuring aperture framing members in the M/F suspension systems are sufficiently deep for span purposes and for the purpose of screw fixing the panel frames.

Wall applications – **Substitute stud for (A).**



Instructions

Before installation check on the rear of the access panel to ensure the fire rating shown on the frame label is no less than the Wall or Ceiling's required rating

Fixing Details

- 1) Unlock the door as described in **Operation**.
- 2) Remove door from the frame by releasing the nuts on welded M6 screws (Retain in a safe place)
- 3) Offer frame into aperture formed as described in above **Forming Apertures**.
- 4) Screw fix through pre-punched holes in both frame sides (Width) to the aperture reveal.
- 5) Ensure that the panel is square by fixing shims between frame and aperture as needed.
- 6) Replace door by locating hinge over welded screws and re-fix using washers and nuts previously retained.
- 7) Lock door as across **Operation** details.

Operation

Opening:

- 1) Remove plastic plug from key hole with fingernail lift.
- 2) Insert budget lock key into key hole and turn anti-clockwise supporting the weight of the door.

Closing:

- 1) After leading edge of door enters panel frame insert budget lock key into key hole and turn clockwise.
- 2) Replace plastic plug into key hole.