

# VPTG - Vision Proof Transfer Grilles

Vision proof transfer grilles are available in 4 different formats, to suit a variety of applications:

**VPTG 1** – Single flange standard grille

**VPTG 2** – As VTPG 1 complete with backing frame.

**VPTG 3** – Double bank set up for dark rooms.

Please note that we recommend that VPTG 3 grilles are powder coated matt black.



**VPTG 4** – Surface mounted slim-line grille, suitable for use with intumescent fire blocks, and fire dampers.

**Construction:** Surface mounted and standard frames available – all extruded aluminium.

Extruded aluminium blade

Blades riveted into frame

**Options & Accessories:** M & M Access Ltd can supply a standard Vision Proof Transfer Grille or a customised grille made to your exact specifications.

**Fire rating** – VPTG 4 grilles are suitable to use with intumescent fire blocks or in-door fire dampers.

**Finishes** – M & M Access Ltd can polyester powder coat or nylon coat your VPTG to any RAL or BS colour, non painted finishes are mill or satin anodised (AA5).

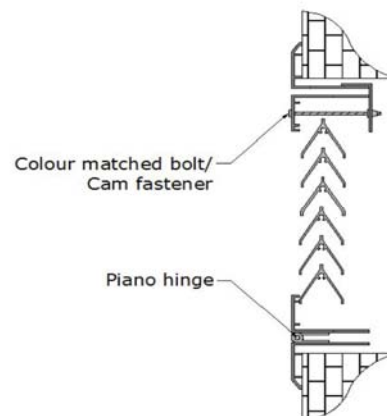
**Blanking plate** – Blanking plates enable a portion or all of the grille to be disabled, and are also useful for preventing line of sight into ductwork or the ceiling void.

**Specialised tiles** – M & M Access Ltd can cater for situations where specific tile formats are needed. Please get in touch with our sales team for more information on VPTG's fitted into tile layouts such as Burgess clip in systems.

## Core Options

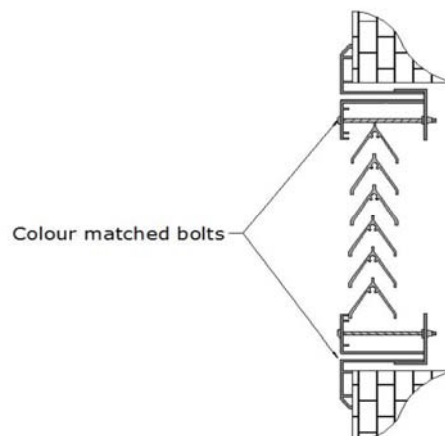
### Hinged core

Hinged cores are also available. The blades are held within the interior frame which is held into the exterior frame by a piano hinge on one side and cam fasteners (standard) or colour matched bolts (shown and optional) on the other.



### Removable core

A non vision grille can be manufactured with a removable core to enable complete removal from the frame.. Colour matched bolts are used to hold the inner core into the frame .



# Fixing Options

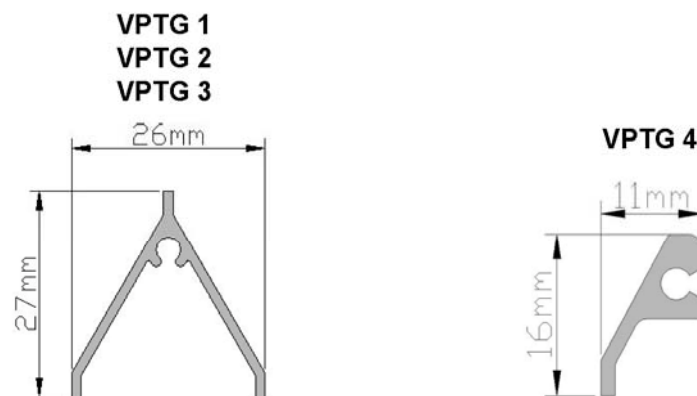
## FIXING HOLES

When using countersunk fixing holes connect the reverse of the grille to the ductwork. Then, simply fix the grille to the wall or ceiling using the supplied screws.

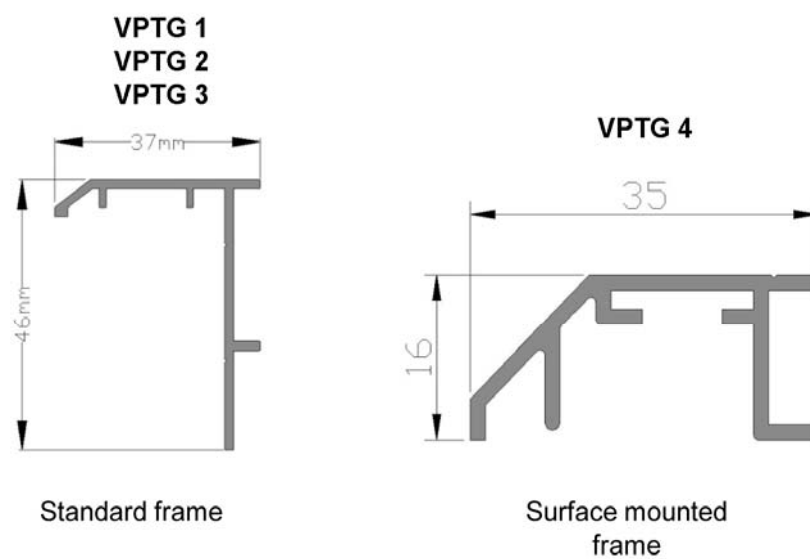


## Technical Information

### Blade profile



### Frame types

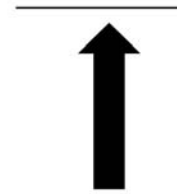
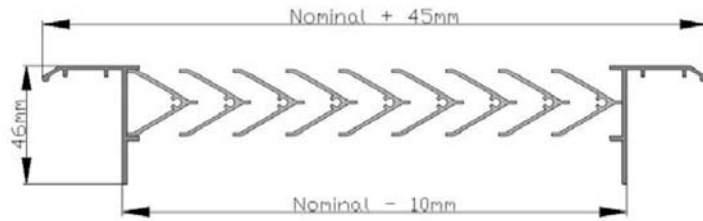


Free Area Approx 38%

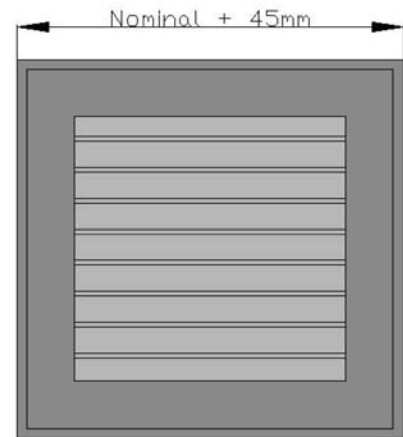
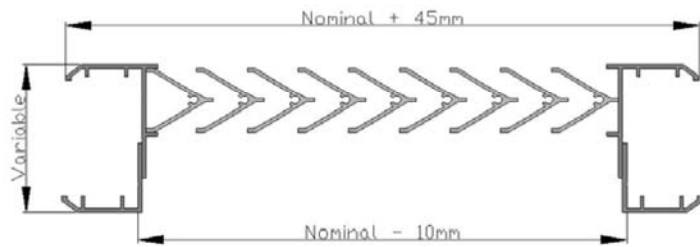
VPTG 1 / VPTG 2 Mass/M2 face area = 12.5KG

VPTG 3 / VPTG 4 Mass/M2face area = 16KG

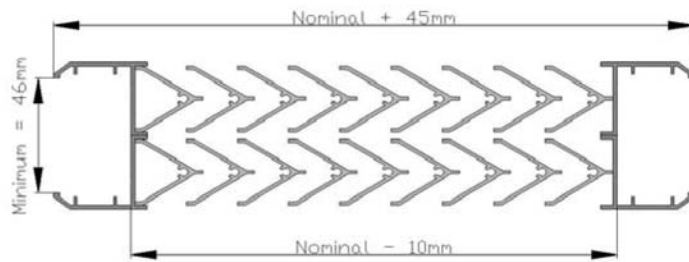
• ( \_\_\_ x \_\_\_ ) – VPTG 1



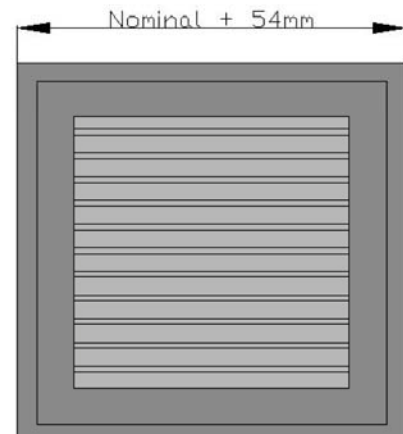
• ( \_\_\_ x \_\_\_ ) – VPTG 2



• ( \_\_\_ x \_\_\_ ) – VPTG 3



• ( \_\_\_ x \_\_\_ ) – VPTG 4



**M & M Access Ltd**  
**5 Quarry Park Close**  
**Moulton Park Industrial Estate**  
**Northampton**  
**NN3 6QB**

**Tel: 01604 644944 Fax: 01604 644899**

**Email: sales@m-maccess.co.uk**

**Web: www.m-maccess.co.uk / www.access-panels.com**