

Double Deflection Grilles

Double Deflection Grilles allow the direction of air flow to be adjusted in two planes, giving a very effective method of controlling air flow direction. They are suitable for both supply and extract functions.

Construction: Extruded aluminium frame & blades

Two sets of individually adjustable blades held in place by high tensile spring wire

Central mullions used on grilles with one or both dimensions greater than 550mm

Options & Accessories: M & M Access Ltd can supply a standard Double Deflection Grille or a customised grille made to your exact specifications.

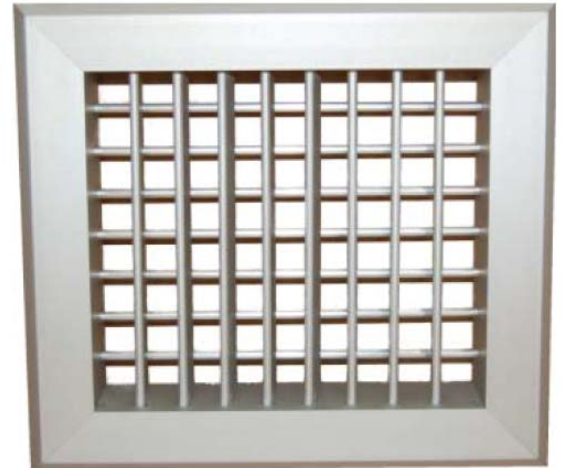
Opposed blade damper - Operated via key/screwdriver through face of grille

Removable or hinged core – Making maintenance and duct access faster and easier.

Finishes – M & M Access Ltd can polyester powder coat or nylon coat your Double Deflection Grille to any RAL or BS colour, non painted finishes are mill or satin anodised (AA5).

Blanking plate – Blanking plates enable a portion or all of the grille to be disabled and are also useful for preventing line of sight into ductwork or the ceiling void.

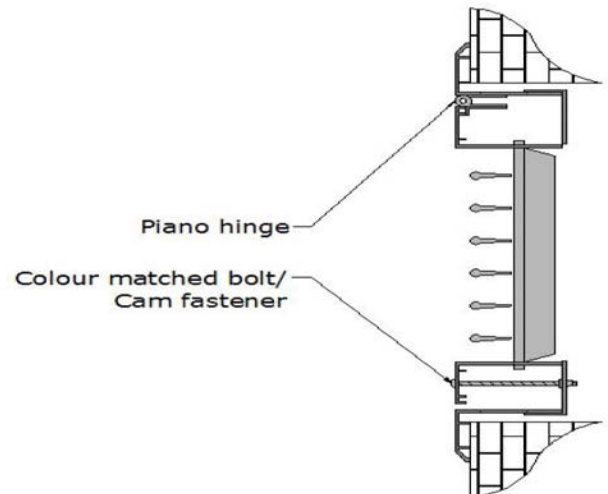
Specialised tiles – M & M Access Ltd can cater for situations where specific tile formats are needed. Please get in touch with our sales team



Core Options

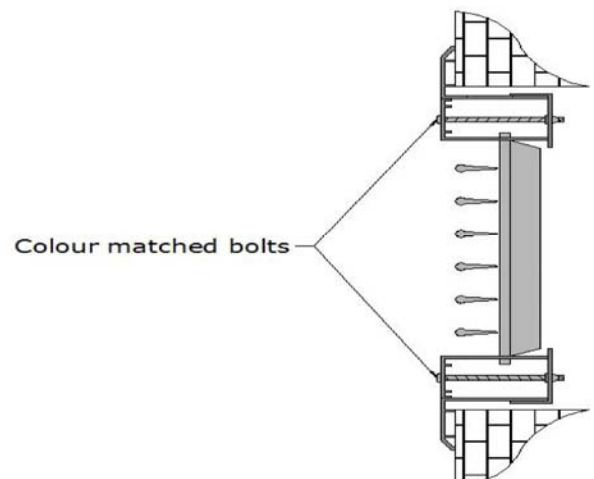
Hinged core

Hinged cores are also available. The blades are held within the interior frame which is held into the exterior frame by a piano hinge on one side and cam fasteners (standard) or colour matched bolts (shown and optional) on the other.



Removable core

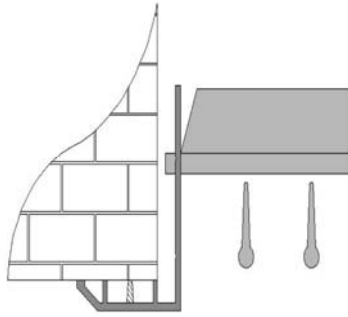
A double deflection grille can be manufactured with a removable core to enable complete removal from the frame.. Colour matched bolts are used to hold the inner core into the frame .



Fixing Options

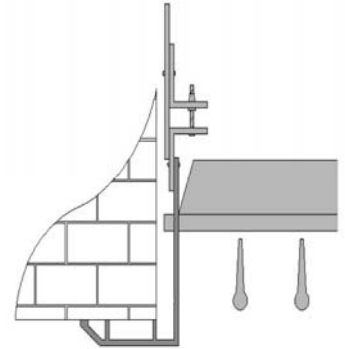
FIXING HOLES

When using countersunk fixing holes connect the reverse of the grille to the ductwork. Then, simply fix the grille to the wall or ceiling using the supplied screws.



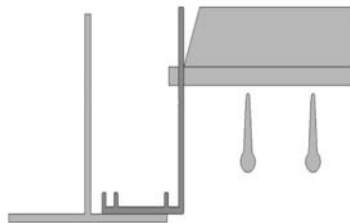
CONCEALED FIXINGS

If using concealed fixings, fix the top 'L' bracket to the inside of the ductwork. Use the supplied bolt to then bolt the lower 'L' riveted to the grille, to the upper 'L' inside the duct.



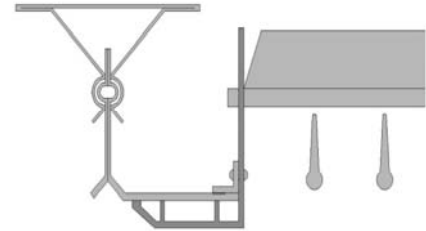
LAY IN

Simply lay the grille into the pre-prepared T bar ceiling grid. Please note that a lay in grille would be manufactured with a 25mm flat flange as standard.



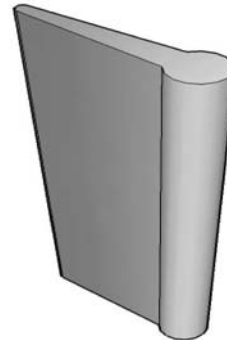
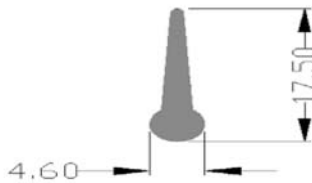
BURGESS / OTHER TILE SYSTEM

The grille will be fitted into the tile before despatch. Installation then involves connecting the reverse of the grille to ductwork, and clipping the burgess tile into the pre-prepared ceiling grid.

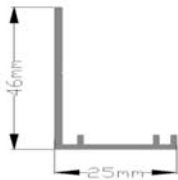


Technical Information

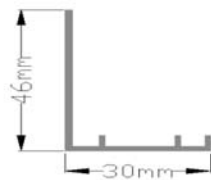
Blade profile



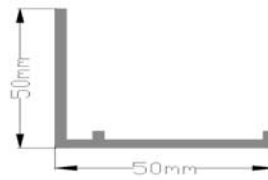
Frame types



25mm flat flange



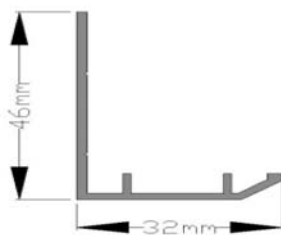
30mm flat flange



50mm flat flange



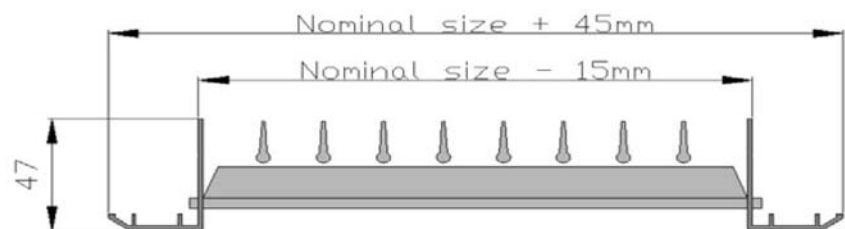
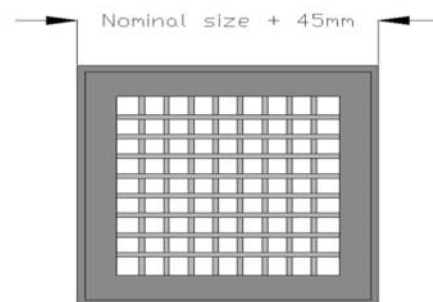
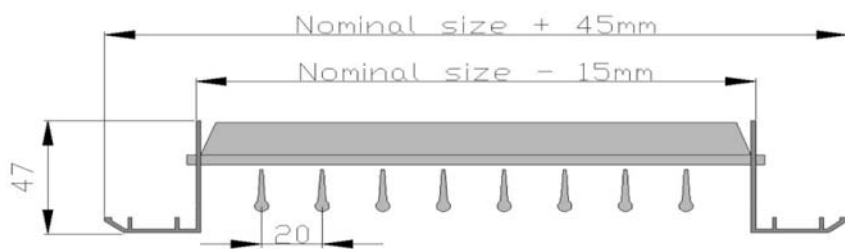
75mm flat flange



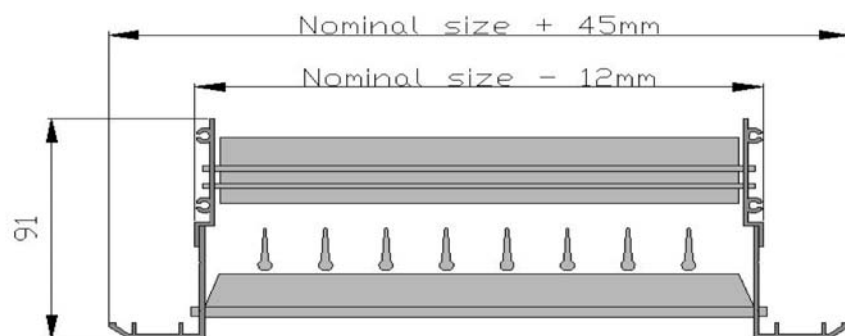
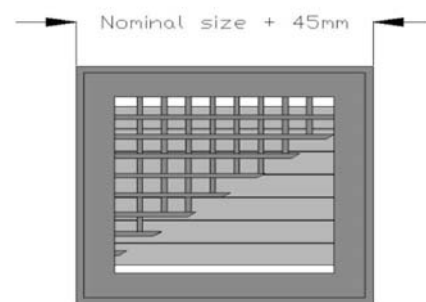
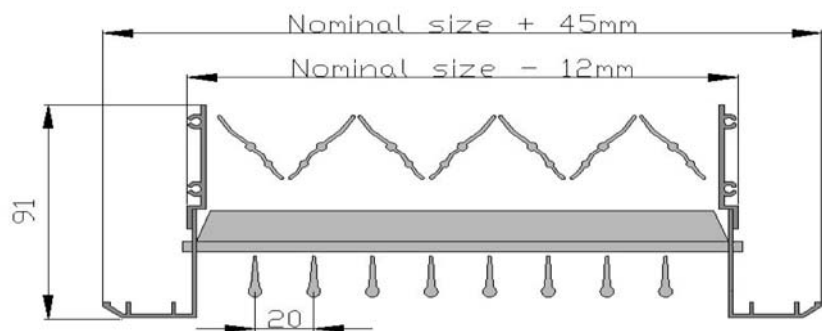
32mm bevelled large angle flange

- Free area – Approx 70%
- SD Mass/M² face area = 14.5KG
- SD/D Mass/M² face area = 22.5KG

• (___ x ___) - DD – 32mm bevelled



• (___ x ___) - DD – 32mm bevelled - D



M & M Access Ltd
5 Quarry Park Close
Moulton Park Industrial Estate
Northampton
NN3 6QB

Tel: 01604 644944 Fax: 01604 644899

Email: sales@m-maccess.co.uk

Web: www.m-maccess.co.uk / www.access-panels.com